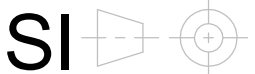
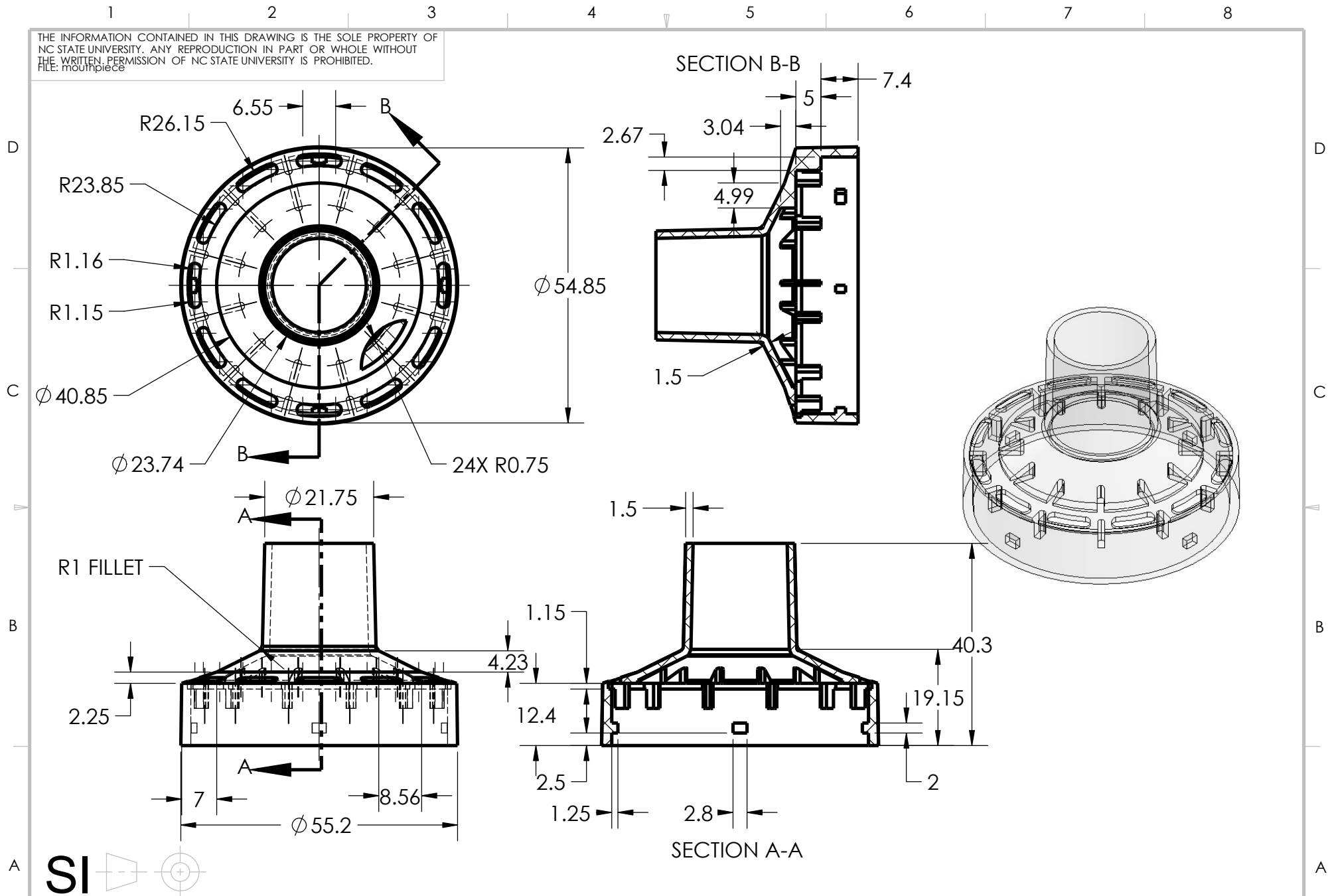


THE INFORMATION CONTAINED IN THIS DRAWING IS THE SOLE PROPERTY OF NC STATE UNIVERSITY. ANY REPRODUCTION IN PART OR WHOLE WITHOUT THE WRITTEN PERMISSION OF NC STATE UNIVERSITY IS PROHIBITED.
FILE: mouthpiece



NORTH CAROLINA STATE UNIVERSITY
P.O. BOX 7801
Raleigh, North Carolina

UNLESS OTHERWISE SPECIFIED
DIMENSIONS ARE IN MILLIMETERS
TOLERANCES ARE:
FRACTIONS DECIMALS ANGLES
+ .XX+ .XX + 1
.XXX+ .XXX

DRAWN
ETHAN STODDARD
MATERIAL
POLYCARBONATE

DATE
11/30/2017
SCALE
1:1

TITLE
MOUTHPIECE
SIZE
A
PRT. NO.
2

1