

THE INFORMATION CONTAINED IN THIS DRAWING IS THE SOLE PROPERTY OF NC STATE UNIVERSITY. ANY REPRODUCTION IN PART OR WHOLE WITHOUT THE WRITTEN PERMISSION OF NC STATE UNIVERSITY IS PROHIBITED.  
 FILE: rubebmed.d

1 2 3 4 5 6 7 8

D

D

C

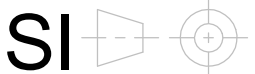
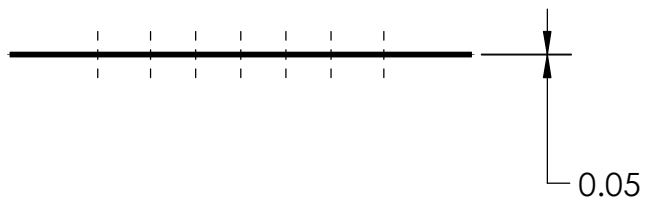
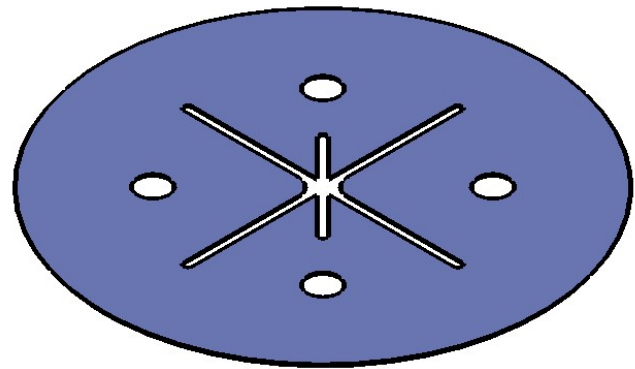
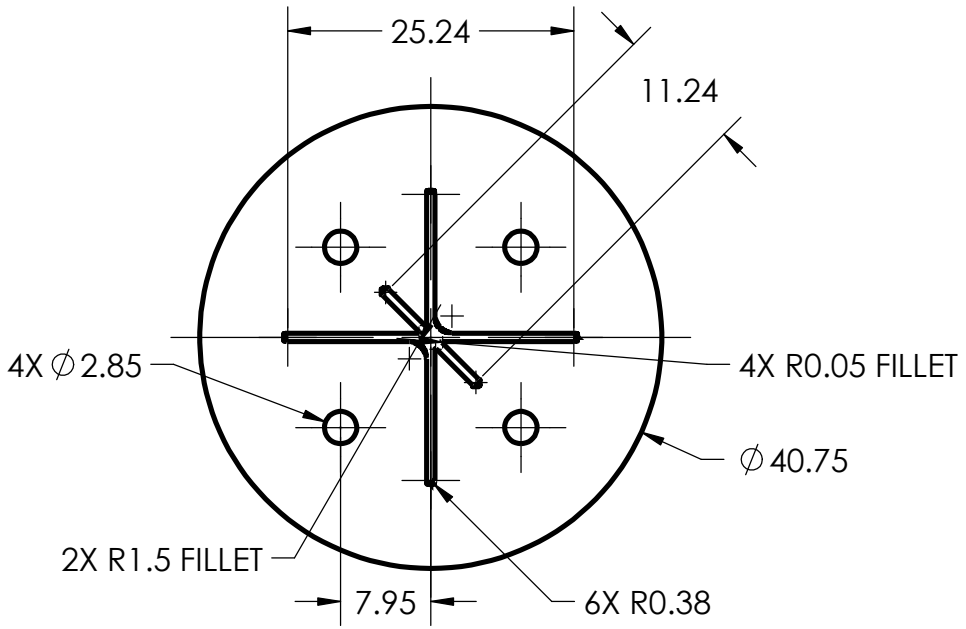
C

B

B

A

A



**NORTH CAROLINA STATE UNIVERSITY**  
 P.O. BOX 7801  
 Raleigh, North Carolina

UNLESS OTHERWISE SPECIFIED  
 DIMENSIONS ARE IN MILLIMETERS  
 TOLERANCES ARE:  
 FRACTIONS DECIMALS ANGLES  
 + .XX+ .XX + 1  
 .XXX+.XXX

DRAWN  
**ETHAN STODDARD**  
 MATERIAL  
**SILICON RUBBER**

DATE  
**11/30/2017**  
 SCALE  
**1:1**

TITLE		<b>VALVE</b>	
SIZE	PRT. NO.	#	
A	4	1	

1 2 3 4 5 6 7 8